



**BAILEY**<sup>®</sup>  
roofing systems

CI/SfB

August 07

(47)	Ln2
------	-----

Uniclass L5241

# Commodity Systems

HIGH PERFORMANCE, SBS AND APP MODIFIED  
QUALITY, TORCH-ON MEMBRANES





# Bailey Commodity Systems

## Cost Effective Solutions for Flat Roofs

BAILEY COMMODITY SYSTEMS OFFER A RANGE OF SBS AND APP MODIFIED, HIGH PERFORMANCE TORCH-ON MEMBRANES. THE TWO RANGES, BAILEY CLASSIC AND SYSTEM 12000, PROVIDE QUALITY PRODUCTS FOR PROJECTS WHERE THE MAIN CRITERIA IS TO MEET A TIGHT BUDGET. THE FULLY MODIFIED BITUMEN USED IN THEIR PRODUCTION BENEFITS THE CONTRACTOR WITH AN EASY AND SECURE PRODUCT TO INSTALL. A HIGH BOND STRENGTH AND GREATER RESISTANCE TO BREAKDOWN, RESULTS IN A LASTING ROOFING SYSTEM, BACKED UP BY A 12 YEAR GUARANTEE. THE TORCH APPLIED MEMBRANES ARE MANUFACTURED TO A HIGH AND CONSISTENT STANDARD AND ARE READILY AVAILABLE AT COMPETITIVE PRICES.



BAILEY ROOFING SYSTEMS HAS BEEN INVOLVED WITH FLAT ROOFING FOR OVER 30 YEARS. FROM THE BEGINNING, THEIR COMMITMENT HAS BEEN TO SUPPLY ONLY THE BEST QUALITY MATERIALS, OFFERING THE LONGEST LIFE EXPECTANCY AND PERFORMANCE AVAILABLE. BAILEY'S RANGE OF PRODUCTS AND DEPTH OF KNOWLEDGE IN THE INDUSTRY ALLOW THE SPECIFIER AND CONTRACTOR TO SELECT THE SYSTEM BEST SUITED TO THE FLAT ROOF PROJECT.

### BAILEY COMMODITY SYSTEMS OFFER THE FOLLOWING BENEFITS:

- Quality membranes at competitive prices
- Backed with 10 or 12 year guarantees
- Cost effective, proven performance

# Commodity



## Bailey Classic

Bailey Classic is a high performance, SBS (styrene butyl styrene) modified, elastomeric bitumen membrane, for torch-on application. The Classic System consists of a 4.5kg/m<sup>2</sup> capsheet, reinforced with a polyester carrier and a 2mm underlay. The capsheet comes in various coloured mineral finishes, including green, black and tweed\* and the sanded capsheet can be used where an alternative surface finish is required, eg, a solar reflective coating.

Bailey Classic is a versatile product which can be used on any type of flat roof, including warm and cold roof constructions on new build or refurbishment projects. Achieving a good cold temperature flexibility makes Classic ideal for use in colder weather conditions. The flexible membrane can absorb substrate movement, thus increasing the long-term performance of the product.

## Bailey Classic Technical information

Characteristics	Test method	Unit of Measure	Tolerance	Classic: Typical values		
				Mineral	Sanded	Underlay
Length/Width	EN 1848-1	m	MLV	8,0-1%/1,0-1%	8,0-1%/1,0-1%	16,0-1%/1,0-1%
Visible defects	EN 1850-1	Visual		None	None	None
Mass per unit area	EN 1849-1	Kg/m <sup>2</sup>	MDV ± 10%	4,5	4,0	
Thickness	EN 1849-1	mm	MDV -0,2 mm			2,0
Straightness	EN 1848-1	mm/10m	MLV	<20	<20	<20
Watertightness at 60kPa	EN 1928-B	Kpa		Pass	Pass	Pass
External Fire Performance	EN 13501-5			F Roof	F Roof	F Roof
Reaction to fire	EN 13501-1	Class		F	F	F
Tensile strength (L/T)	EN 12311-1	N/50mm	MDV - 20%	750 550	750 550	300 200
Elongation (1) (L/T)	EN 12311-1	%	MDV - 15	35 35	35 35	2 2
Resistance to tearing (2) (L/T)	EN 12310-1	N	MDV - 30%	150 150	150 150	NPD NPD
Dimensional stability (L)	EN 1107-1	%	MLV	-0,5	-0,5	NPD
Flexibility at low temperature	EN 1109	°C	MLV	-15	-15	-15
Flow resistance <2mm	EN 1110	°C	MLV	+100	+100	+100
Joint strength (shear resistance)	EN 12317-1	N/50mm	MDV - 20%	650 450	650 450	NPD NPD
Artificial ageing: Flexibility at low temperature	EN 1296/1109	°C	MDV + 15°C	0°		
Adhesion of granules	EN 12039	%	MDV	<30		
Resistance to impact	EN 12691	mm	MLV	900	900	NPD
Resistance to static loading	EN 12730	Kg	MLV	10	10	NPD
Durability after ageing	EN 1296/1928	Kpa			NPD	
Chemical resistance	EN 1847/1928	Kpa			NPD	

1) For membranes reinforced with fiberglass: MDV - 2 absolute.

2) For membranes reinforced with fiberglass: NPD (no performance determined).

Water vapour properties (EN 1931) : If the factor μ is not determined, a value of 20,000 may be used for calculation purposes.

MDV = manufacturer's declared value. MLV = manufacturer's limiting value.

## Bailey System 12000 Technical information

Characteristics	Test method	Unit of Measure	Tolerance	System 12000: Typical values		
				12400 Sanded	12450 Mineral	12200 Underlay
Length/Width	EN 1848-1	m	MLV	8,0-1%/1,0-1%	8,0-1%/1,0-1%	16,0-1%/1,0-1%
Visible defects	EN 1850-1	Visual		None	None	None
Mass per unit area	EN 1849-1	Kg/m <sup>2</sup>	MDV ± 10%		4,5	
Thickness	EN 1849-1	mm	MDV -0,2 mm	3,5		2,0
Straightness	EN 1848-1	mm/10m	MLV	<20	<20	<20
Watertightness at 60kPa	EN 1928-B	Kpa		Pass	Pass	Pass
External Fire Performance	EN 13501-5			F Roof	F Roof	F Roof
Reaction to fire	EN 13501-1	Class		F	F	F
Tensile strength (L/T)	EN 12311-1	N/50mm	MDV - 20%	750 550	750 550	300 200
Elongation (1) (L/T)	EN 12311-1	%	MDV - 15	35 35	35 35	2 2
Resistance to tearing (2) (L/T)	EN 12310-1	N	MDV - 30%	150 150	150 150	NPD NPD
Dimensional stability (L)	EN 1107-1	%	MLV	-0,5	-0,5	NPD
Flexibility at low temperature	EN 1109	°C	MLV	-5	-5	0
Flow resistance <2mm	EN 1110	°C	MLV	+120	+120	+110
Joint strength (shear resistance)	EN 12317-1	N/50mm	MDV - 20%	650 450	650 450	NPD NPD
Artificial ageing: Flow resistance	EN 1296/1110	°C	MDV - 10°		+110°	
Adhesion of granules	EN 12039	%	MDV		<30	
Resistance to impact	EN 12691	mm	MLV	900	900	NPD
Resistance to static loading	EN 12730	Kg	MLV	10	10	NPD

1) For membranes reinforced with fiberglass: MDV - 2 absolute.

2) For membranes reinforced with fiberglass: NPD (no performance determined).

Water vapour properties (EN 1931) : If the factor μ is not determined, a value of 20,000 may be used for calculation purposes.

MDV = manufacturer's declared value. MLV = manufacturer's limiting value.

Due to a policy of continuous development, Bailey Roofing Systems reserves the right to change product specifications and descriptions without prior notice.



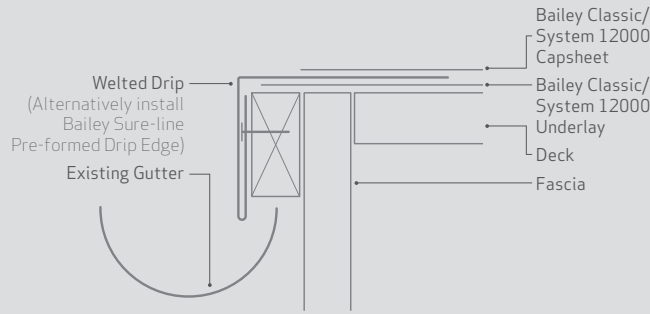
## Bailey System 12000

Bailey System 12000 is a high performance, APP (actactic polypropylene) modified, plastomeric bitumen membrane, for torch-on application. The APP modification gives the membranes UV resistance, which together with a tough polyester carrier, makes System 12000 a robust and durable product, lasting in excess of 20 years.

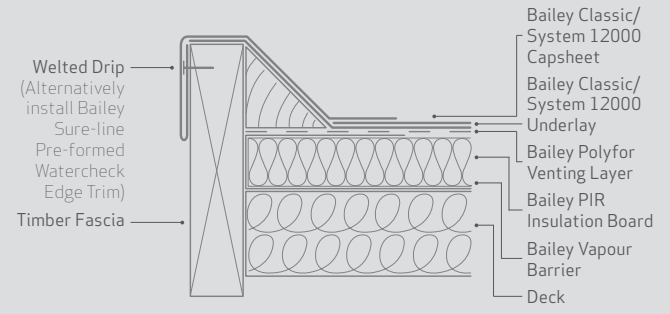
System 12000 is suitable for use in all flat roofing situations, and each project can be backed up by a 12 year self-issue guarantee. System 12000 comes in a sanded and green mineral capsheet\*, manufactured to a high standard. System 12000 membranes have a greater resistance to heat, resulting in absorption of thermal and structural movement and enabling the felt to resist marking in warmer weather conditions.

\*Available in other colours to special order depending on quantity.

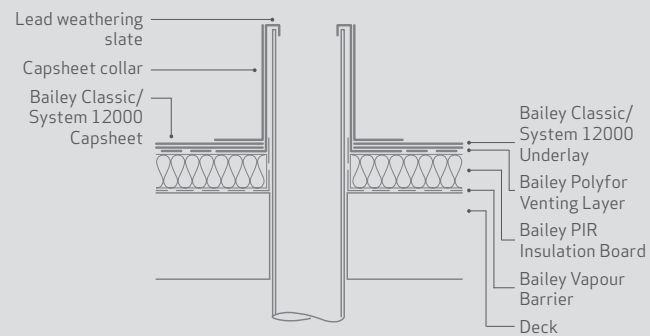
DRIP EDGE



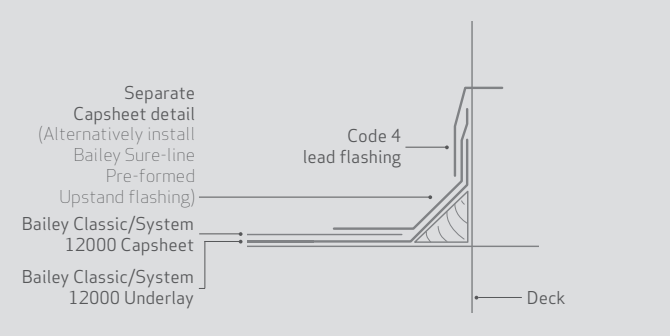
WATERCHECK



COLD PIPE



UPSTAND FLASHING



Quality Manufacture

Since the 1950s and 60s, when flat roofing had a poor reputation, there have been great advances in roofing and the composition of products. Gone are the days when weak materials, poor carriers and oxidised bitumen were acceptable. Bailey have supplied only high performance products that are simple to install and offer a long lasting flat roof.

Bailey Classic and System 12000 are high performance products with polyester carriers and modified bitumen. The secret of an excellent product is the blending of the right proportions of bitumen, plasticisers and fillers. Bailey Commodity Systems are manufactured using the latest technology and are continually monitored. The manufacturing process is subject to stringent quality control, in accordance with ISO 9001. A sample from every batch is tested and retained in the laboratory for nine months and each roll bears a label with the batch number, giving full traceability. The manufacturing plant has been extensively upgraded and modernised over the years and is now fully automated.

Bailey Classic and System 12000, as with all Bailey felts, are CE marked and packaged using a coloured taping system, making it easy to identify the different membranes.

12 Year Guarantee – the system that really works

Bailey Classic and System 12000 are both covered by a simple and easy to use, self-issue guarantee. The 12 year manufacturer's guarantee certificate comes in two parts. One half is issued to the client on completion of the project and the other half filled in by the contractor and returned to Bailey to validate the guarantee. This means the project can be signed off and payment settled, providing security for the client and confidence for the contractor. On larger projects a 10 year insurance backed guarantee is available, covering labour and materials.

© Bailey Roofing Systems, August 2007. All rights reserved.

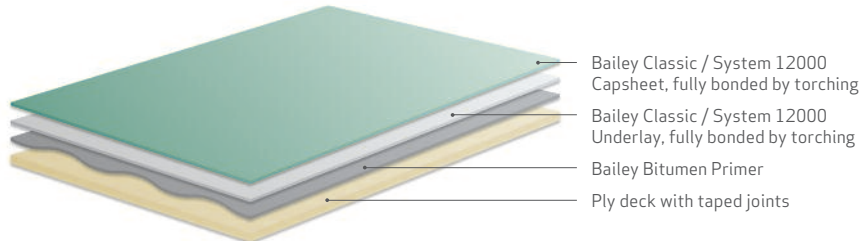


To draw on Bailey's expertise and for further assistance and advice, call the Technical Sales Department on:

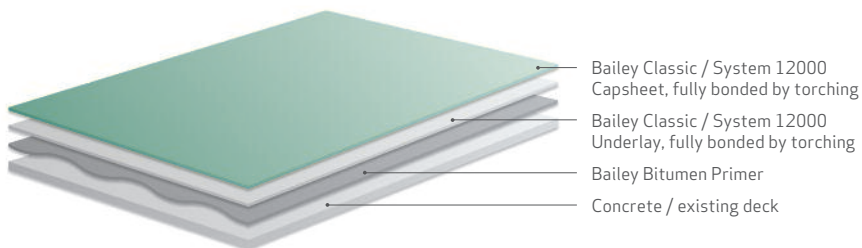
01444 244330

# Bailey Commodity Systems Specifications

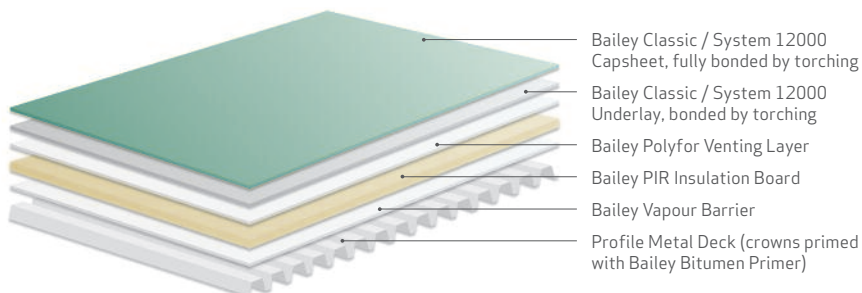
## Plywood deck (cold roof)



## Concrete deck / Asphalt overlay (cold roof)



## Profile metal deck (warm roof)



# Systems



Bailey Roofing Systems  
Victoria Gardens  
Victoria Industrial Estate  
Burgess Hill  
West Sussex  
RH15 9NB

Tel: **+44(0)1444 244330**

Fax: +44(0)1444 244342

Email: [sales@baileyroof.co.uk](mailto:sales@baileyroof.co.uk)